



TABLES AND SINKS

SERVING THE FOOD INDUSTRY SINCE 1951

UNDER COUNTER DISH TABLES



- Made of polished stainless steel.
- 18-gauge 304 stainless steel.
- Comes with an 8-inch backsplash with 2" return at 45° angle to minimize spills and splashes.
- 3 1/2" diameter drain.
- Available in left and right orientation.
- Comes with 26-inch stainless steel bullet feet legs with cross bracing.



WARRANTY



Authorized Dealer

TABLES AND SINKS

48" LEFT / RIGHT SIDE UNDER COUNTER DISH TABLES

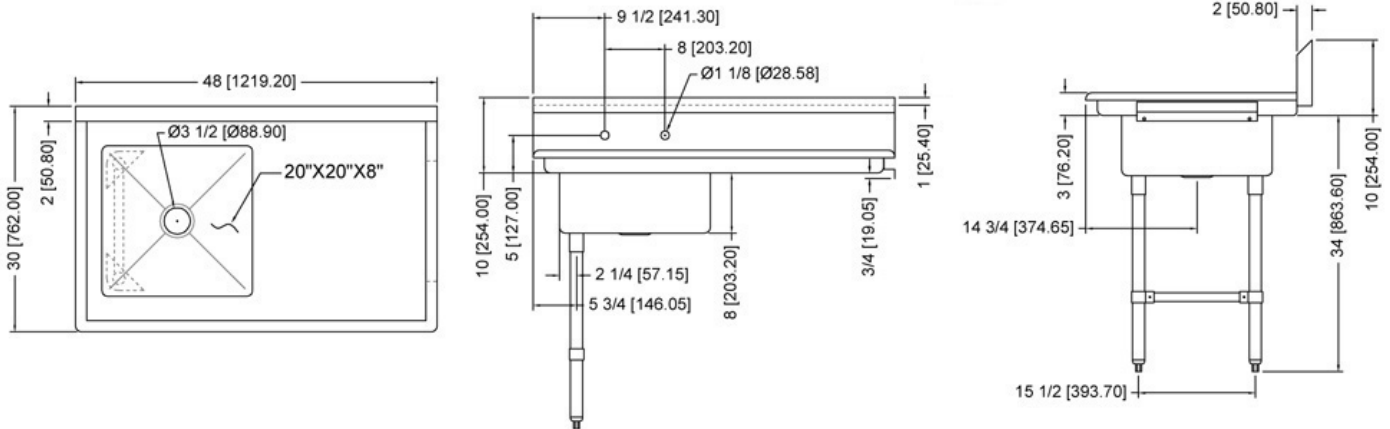


TECHNICAL SPECIFICATIONS

| ITEM | 40189 | 40190 |
|------------------|---|---|
| DESCRIPTION | 48" left side under counter dish table | 48" right side under counter dish table |
| DIMENSIONS (DWH) | 50" x 30" x 44" / 1270 x 762 x 117.6 mm | |

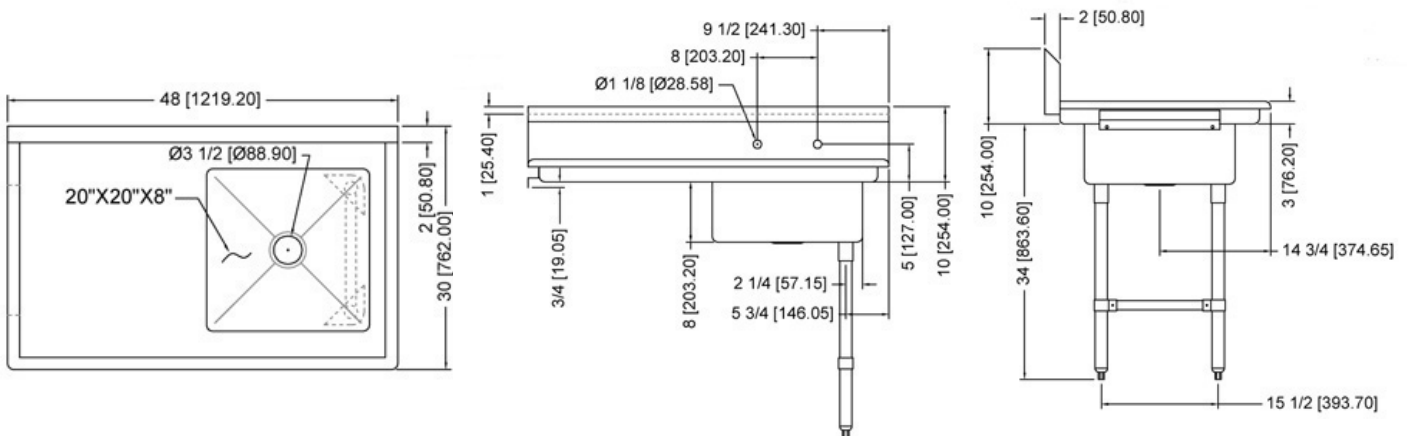
TECHNICAL DRAWINGS AND DIMENSIONS

40189



TECHNICAL DRAWINGS AND DIMENSIONS

40190



OMCAN INC.

Telephone: 1-800-465-0234

Fax: (905) 607-0234

Email: sales@omcan.com

Website: www.omcan.com



Follow us to keep up to date with the latest news and offers



2015.E.O.E

TABLES AND SINKS

60" LEFT / RIGHT SIDE UNDER COUNTER DISH TABLES

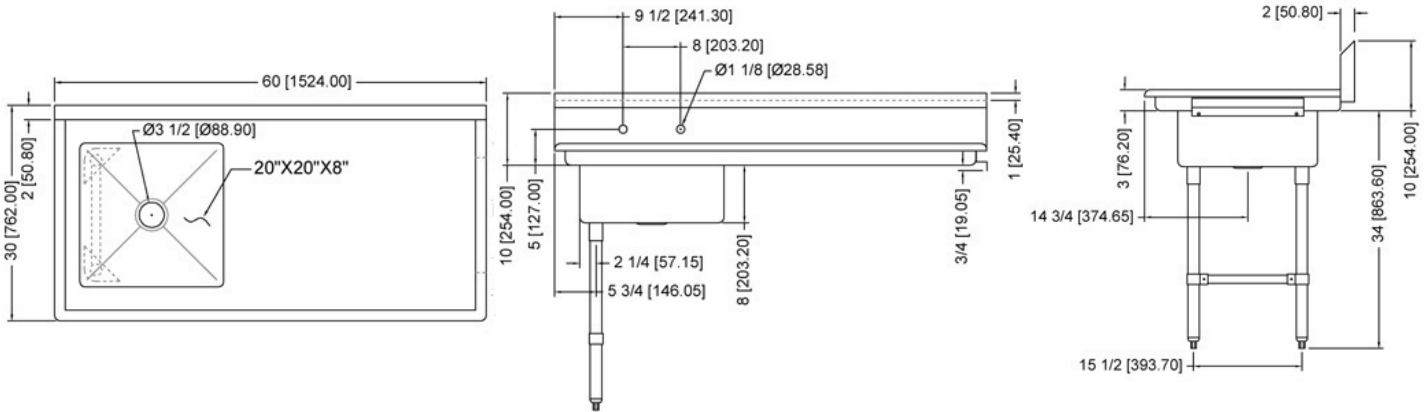


TECHNICAL SPECIFICATIONS

| ITEM | 40191 | 40192 |
|------------------|---|---|
| DESCRIPTION | 60" left side under counter dish table | 60" right side under counter dish table |
| DIMENSIONS (DWH) | 62" x 30" x 44" / 1574.8 x 762 x 117.6 mm | |

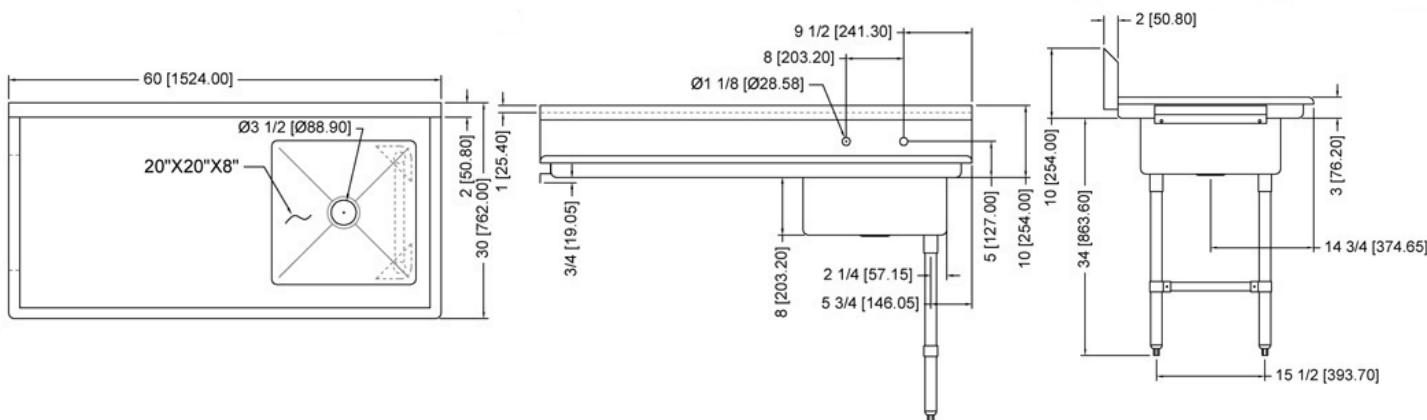
TECHNICAL DRAWINGS AND DIMENSIONS

40191



TECHNICAL DRAWINGS AND DIMENSIONS

40192



OMCAN INC.

Telephone: 1-800-465-0234

Fax: (905) 607-0234

Email: sales@omcan.com

Website: www.omcan.com



Follow us to keep up to date with the latest news and offers



2015.E.O.E